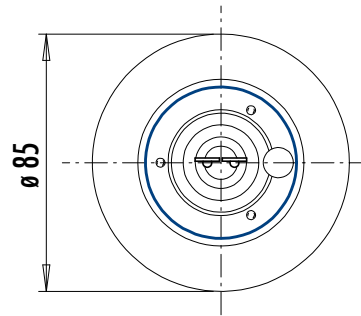
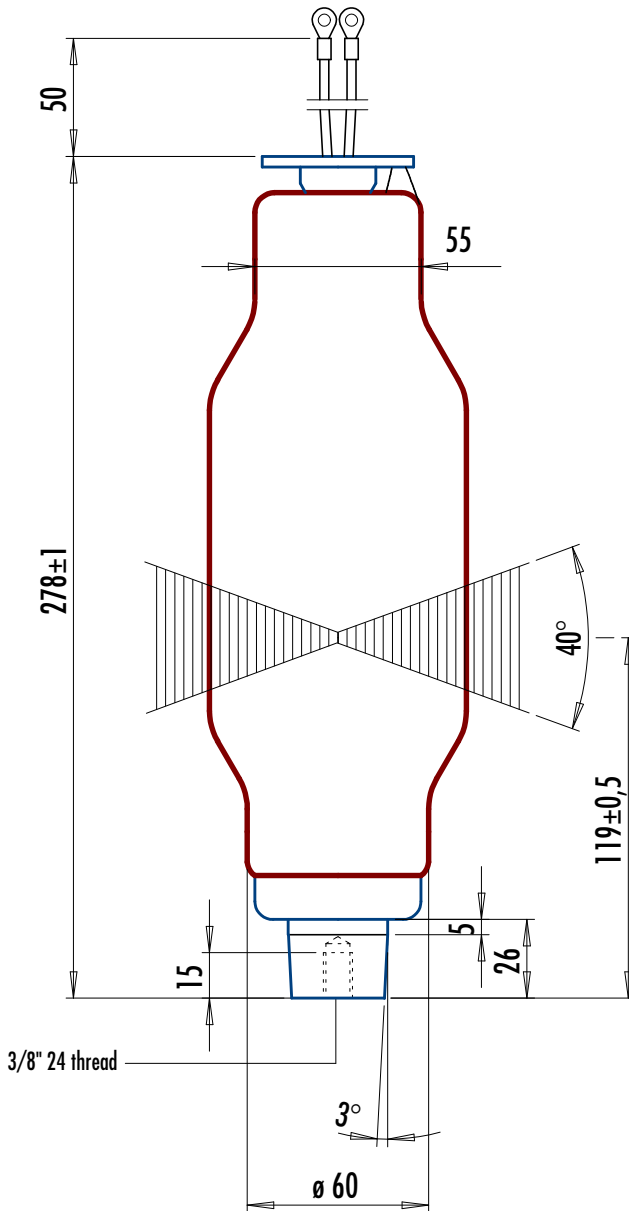


SPECIFICATIONS AND DRAWING ARE SUBJECT TO CHANGE WITHOUT PRIOR NOTICE. TUBE CREATES X-RAY WHEN ENERGIZED. TUBE MAY CONTAIN BERYLLIUM PRODUCT.



### 300 KV X-RAY INSERT 360° ORTHOGONAL BEAM

tube voltage max.:	300 kV
tube current max.:	5 mA
tube power max.:	1500 W
(depends on cooling)	
filament voltage ca.:	4,5 V
filament current:	3,8 ± 0,2 A
nom. focal spot:	5,5 mm x 1,3 mm
inherent filtration:	0,5 Cu, 1,5 glass (mm)
anode angle:	25°
beam angle:	360°x 40°
frequency:	50-60 Hz

0694