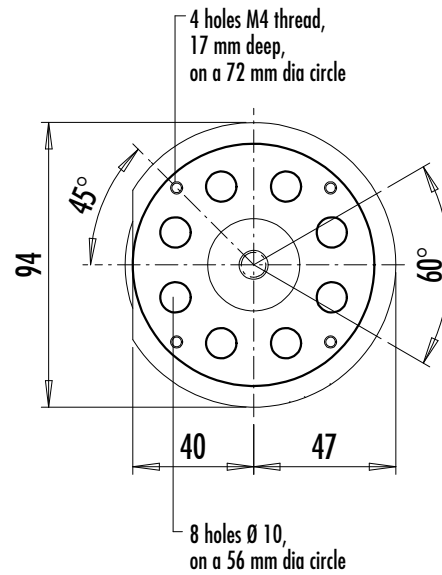
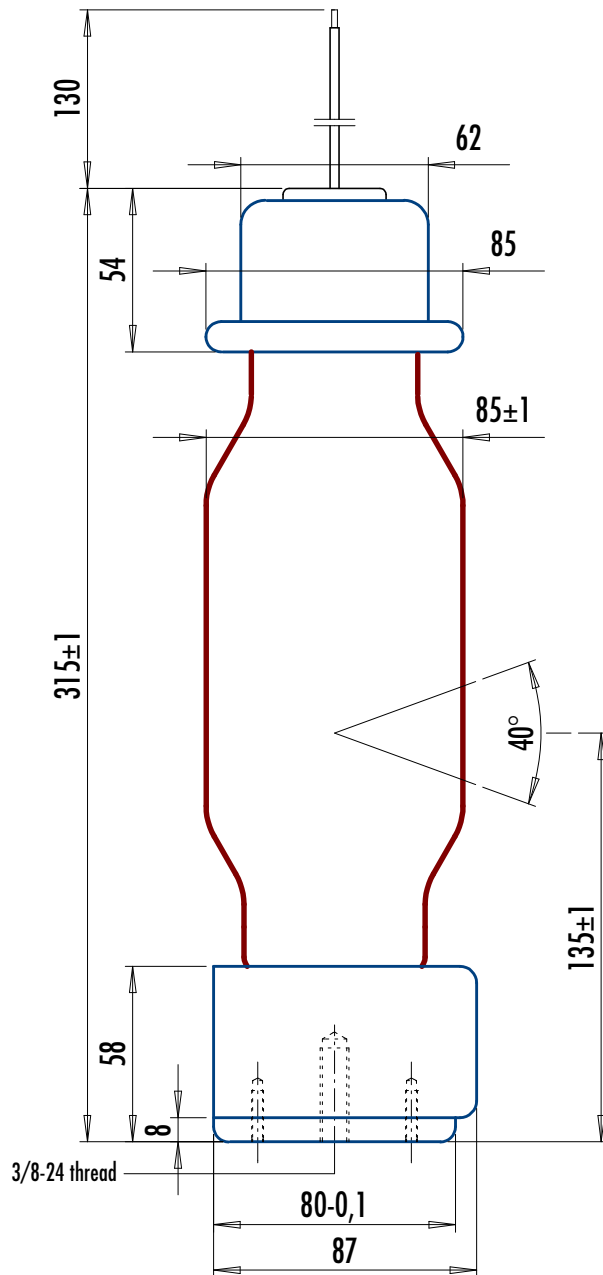


SPECIFICATIONS AND DRAWING ARE SUBJECT TO CHANGE WITHOUT PRIOR NOTICE. TUBE CREATES X-RAY WHEN ENERGIZED. TUBE MAY CONTAIN BERYLLIUM PRODUCT.



300 KV X-RAY INSERT 40° DIRECTIONAL BEAM

tube voltage max.:	300 kV
tube current max.:	5 mA
tube power max.:	1500 W
(depends on cooling)	
filament voltage ca.:	4 V
filament current:	4 ± 0,2 A
nom. focal spot:	2,5 x 1,5 mm
inherent filtration:	0,8 Be, 1,5 glass (mm)
anode angle:	25°
beam angle:	60°x 40°
frequency:	50-60 Hz

0893