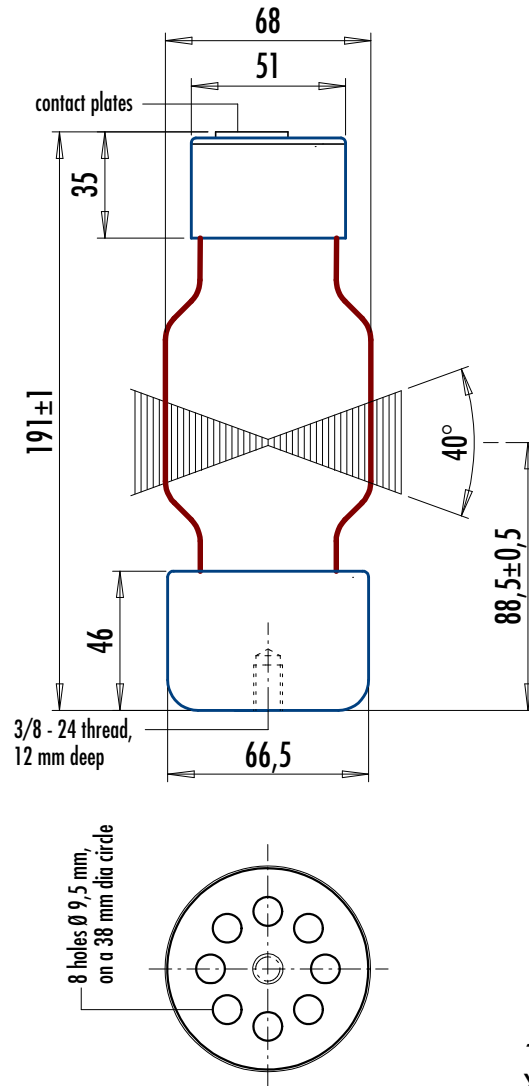


LOHMANN

X-RAY

160/5 KREP



0207

160 KV
X-RAY INSERT 360°
ORTHOGONAL BEAM

tube voltage max.:	160 kV	nom. focal spot:	3 mm Ø
tube current max.:	5 mA	inherent filtration:	0,8 Be, 1,5 glass (mm)
(depends on cooling)		anode angle:	25°
tube power max.:	800 W	beam angle:	360°x 40°
filament voltage ca.:	4 V	frequency:	50-60 Hz
filament current:	4 ± 0,2 A	cooling:	oil, gas

SPECIFICATIONS AND DRAWING ARE SUBJECT TO CHANGE WITHOUT PRIOR NOTICE. TUBE CREATES X-RAY WHEN ENERGIZED. TUBE MAY CONTAIN BERYLLIUM PRODUCT.

Version
94041

60 A

German Craft and Technology since 1946