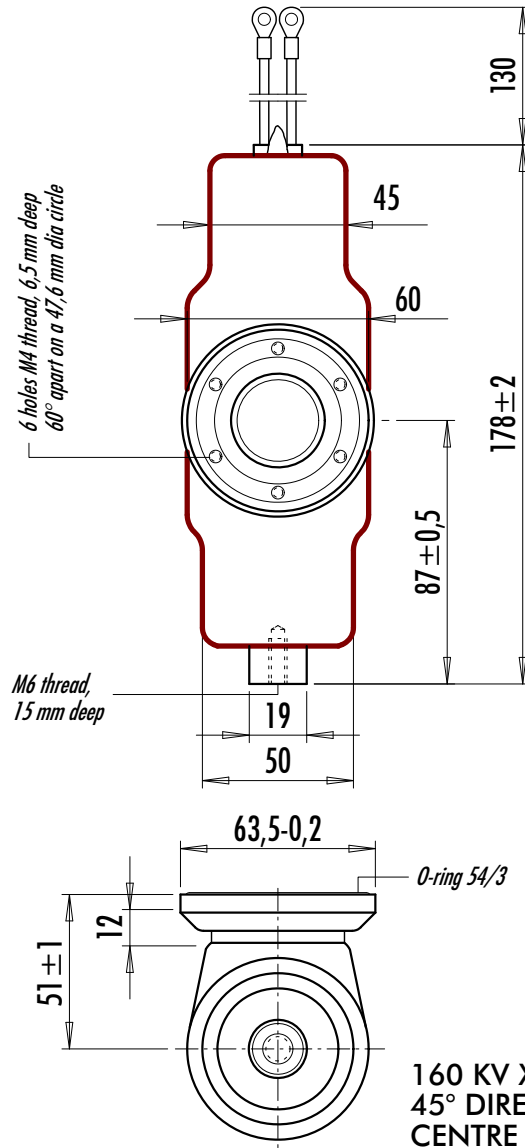


# LOHMANN

## X-RAY

# 160 ABE



032007  
Rev.A Fenster 51mm, 45 Deg

tube voltage max.: 160 kV  
 typical tube current: 5 mA  
 tube power max.: 800 W  
 filament voltage ca.: 3,2 V  
 filament current:  $3,4 \pm 0,2$  A

nom. focal spot: 1,5 x 1,5 mm  
 inherent filtration: 1,6 mm Be  
 anode angle: 25°  
 beam angle: 45°  
 cooling: oil, gas

SPECIFICATIONS AND DRAWING ARE SUBJECT TO CHANGE WITHOUT PRIOR NOTICE. TUBE CREATES X-RAY WHEN ENERGIZED. TUBE MAY CONTAIN BERYLLIUM PRODUCT.

Version  
**88005**

38

German Craft and Technology since 1946