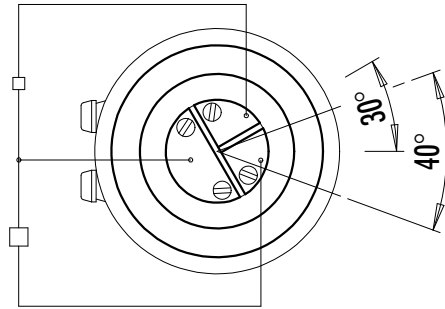
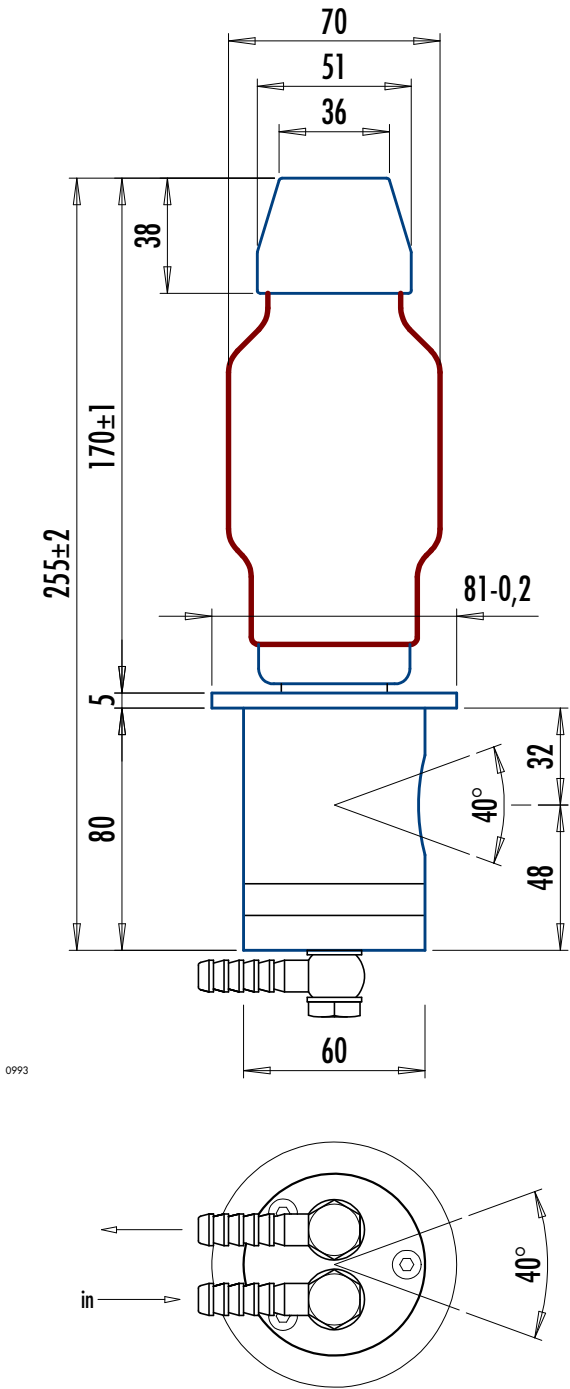


SPECIFICATIONS AND DRAWING ARE SUBJECT TO CHANGE WITHOUT PRIOR NOTICE. TUBE CREATES X-RAY WHEN ENERGIZED. TUBE MAY CONTAIN BERYLLIUM PRODUCT.



DUAL FOCUS
160 KV X-RAY INSERT
BERYLLIUM WINDOW
DIRECTIONAL BEAM 40°

3.0 .4 DIFFERENT
FSS-COMBINATIONS
OPTIONAL

operation:	CP	
tube voltage max.:	160	160 kV
tube current max.:	19	4 mA
tube power max.:	3000	640 W
filament voltage ca.:	4,1	2,8 V
filament current:	5,8	$3,8 \pm 0,2$ A
nom. focal spot:	3x3	0,4x0,4 mm
inherent filtration:	0,8 mm Be	
anode angle:	21°	
beam angle:	40°	
cooling:	5 l/min.	