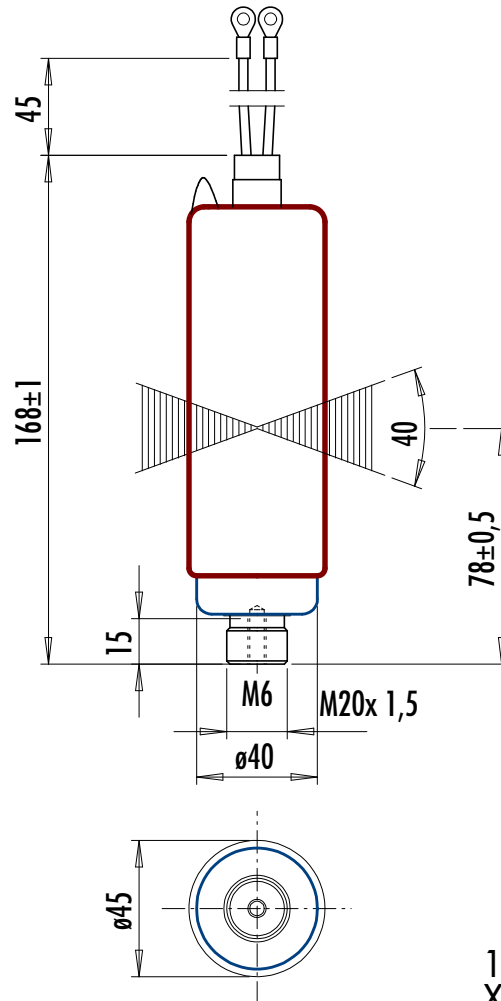


LOHMANN

X-RAY

120/2 KREP



120 KV
X-RAY INSERT 360
ORTHOGONAL BEAM

06094

SPECIFICATIONS AND DRAWING ARE SUBJECT TO CHANGE WITHOUT PRIOR NOTICE. TUBE CREATES X-RAY WHEN ENERGIZED. TUBE MAY CONTAIN BERYLLIUM PRODUCT.

tube voltage max.:	120 kV	nom. focal spot:	3,5 mm x 0,8 mm
tube current max.:	2 mA	inherent filtration:	2,5 mm glass
(depends on cooling)		anode angle:	25
tube power max.:	240 Watt	beam angle:	360 x 40
filament voltage ca.:	3,8 V	cooling:	oil, gas
filament current:	3,5 ± 0,2 A	frequency:	50 - 60 Hz

Version
85001

18

German Craft and Technology since 1946