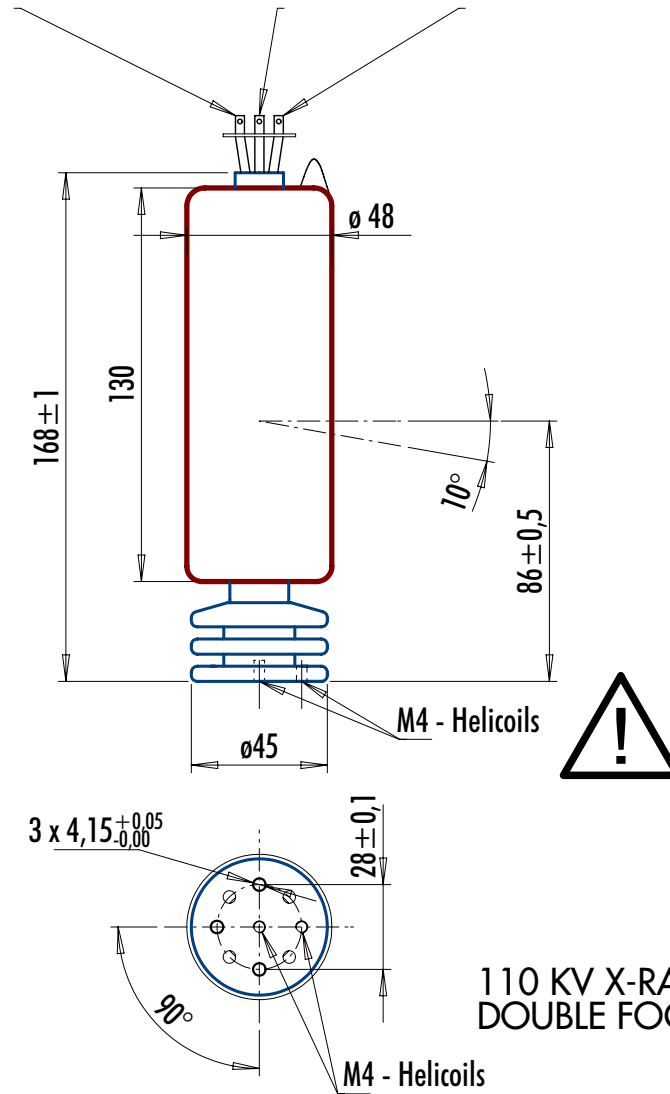


# LOHMANN

## X-RAY

110/3 DF

WHITE = large focal spot    BLACK = ground    RED = small focal spot



110 KV X-RAY INSERT  
DOUBLE FOCUS

0502  
0404 RevB  
0805 Helicoils

tube voltage max.:	110 kV	large focal spot:	1.4 mm
tube power pulsed:	2.2 kW	small focal spot:	0.6 x 1.4 mm
tube power (contin.):	600 Watt	inherent filtration:	0.5 mm AL
large filament (typical):	5.0 V, 3.3 A	anode angle:	10°
small filament (typical):	4.0 V, 3.5 A	beam angle:	40° x 35°

SPECIFICATIONS AND DRAWING ARE SUBJECT TO CHANGE WITHOUT PRIOR NOTICE. TUBE CREATES X-RAY WHEN ENERGIZED. TUBE MAY CONTAIN BERYLLIUM PRODUCT.

Version  
**97411**

11c

German Craft and Technology since 1946