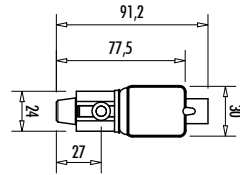


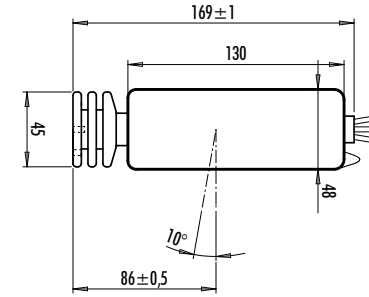
35/01 AEF

Extremely compact
Be-window micro-focus tube
(customer project)



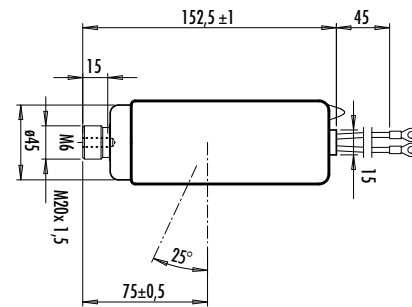
110/3 DF

Compact 110 kV tube family
with single or dual focal spots,
internal radiation shielding
available



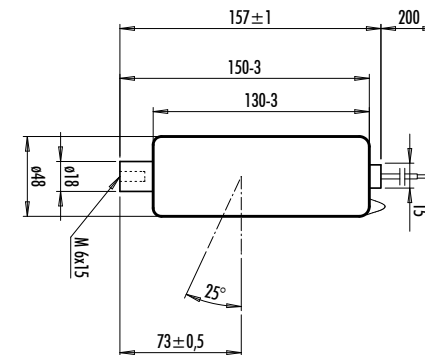
80/6 EP

Robust 100 kV tube
with open anode



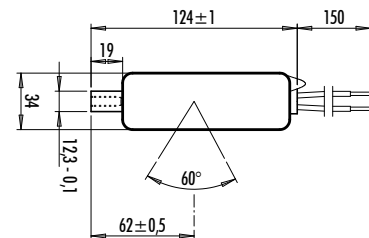
110/3 EF25

Sample of the 110 kV family
with 0.5 single focal spot



90/4 K

Compact 90 kV tube,
various configurations available



120/2 KREP

120 kV tube sample
with orthogonal beam

